

## Safety Precautions

- Do not pressurize above 50 psi.
- Do not adjust the tip or change spray patterns while depressing the valve lever of atomizing cap.
- Open cap slowly to release air before removing; keep bottle upright when releasing pressure.
- Do not store for long periods or transport the unit while bottle is pressurized.
- Do not use plastic bottle if there is any signs of damage.

## Before Starting

- Inspect the plastic bottle, coiled hose, tank gasket, discharge valves, and nozzle for signs of wear or damage. These parts must be in full working condition to permit pressurization of the bottle.

## Operating Instructions

### Mixing and Filling

- Mix insecticides for the Professional AccuSpray in a separate container and then add 16 oz. to the bottle.
- When mixing insecticides for the standard AccuSpray (plastic bottle), note the 16 oz. (480 ml) mark on the side and mix insecticide accordingly.
- Follow all label directions when mixing insecticides.
- Add only 16 oz. (480 ml) of liquid to the bottle to maintain proper head space for air pressure.

### Pressurizing the Bottle

- Pump plunger up and down 8-10 times until there is pressure against the plunger; do not over-pressurize.

## Calibration Cup

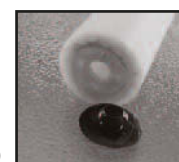
AccuSpray comes with a measuring cup for mixing the correct amount of insecticide in the bottle. The cup is marked in milliliters. The intended use of the cup is for liquid insecticide to be poured from the original container into the measuring cup. Rinse cup into the AccuSpray bottle.

- Insecticide amounts for 16 oz.:
  - Phantom™ = 8.9 ml
  - Talstar™ = 1.2 or 3.7 ml
  - Suspend™ = 2.8 or 5.5 ml
  - Tempo SC™ = 2.0 ml
  - Demand CS™ = 1.5 or 3.0 ml



## Care and Maintenance

- Flush bottle, valve, and coiled hose with clean water regularly.
- After rinsing the bottle with clean water, pressurize the unit and flush the valve and hose.
- Inspect hoses and hose connections, gaskets, and other fittings for wear; replace when necessary.
- Do not use metal objects to clean the orifices in the nozzle, this will disrupt the liquid spray pattern.
- Use B&G Repair Kit (#24000037) for regular care and maintenance. The Kit includes a check valve, pump tube plunger gasket, and a cap gasket.
- Replacing the pump tube plunger gasket requires stretching the gasket over the end of the tip.
- Remove and clean around the check valve at the tip of the pump



# AccuSpray User Manual

## Trouble Shooting

**Bottle not holding pressure, air leaks from top of bottle**

- 1 Tighten cap
- 2 Replace cap gasket

**Bottle not getting air pressure**

- 1 Replace pump tube plunger gasket

**Pump tube fills with water when pumping**

- 1 Clean around the check valve at the bottom of pump tube
- 2 Replace the check valve

**Holds pressure, but will not spray; spray is weak or sputtering**

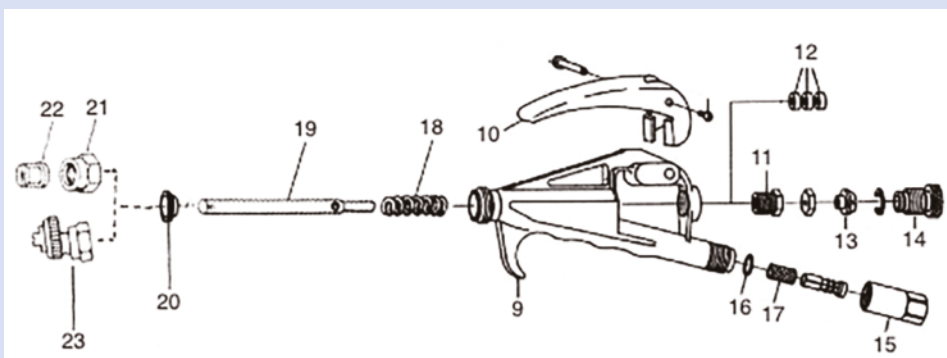
- 1 Nozzle clogged, clean with a soft brush
- 2 Siphon tube clogged, clean end
- 3 Clean strainer at the hose / valve junction

**Valve body leaking**

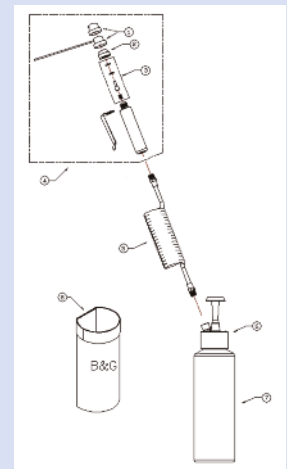
- 1 Tighten packing nut, replace packing washers (in GD-124 Repair Kit)

ITEM	NUMBER	DESCRIPTION
1	24000031	Tip Kit
2	22000015	Handle Cap (Dark Gray PVC)
3	24000062	Valve Rebuild Kit
4	24000029	Complete Valve Assembly
5	24000028	Hose S/A, Delivery System (Blue)
5A	24000078	Hose S/A AccuSpray Elite
6	24000037	Pump Rebuild Kit
7	24000000	Bottle, Plastic
7A	24000115	Bottle, Metal AccuSpray Elite
8	24000073	Holster, B&G
8A	24000072	Holster, AccuSpray Elite
9	22044450	Valve Body
10	22042800	Valve Trigger Kit
11	22042455	Packing Nut (stainless steel)
12	22045099	Valve Packing Washers
13	22044500	Adjustment Screw Kit
14	22046700	Safety Lock Nut
15	22043400	Stainer Housing
16	22044200	Nylon Gasket
17	22043800	Mesh Strainer and Support
18	22055447	Valve Spring
19	22055446	Valve Stem
20	22046350	Valve Seat
21	22033100	Tip Cap
22	22071824	Spray Tip - Termite Injection
	22049500	Crack & Crevice Straw (only used with spray cap)
23	22049466	4 Way Tip with Straw

### Extenda-Ban Valve



### AccuSpray



For more information contact [salesdept@bgequip.com](mailto:salesdept@bgequip.com) or visit [www.bgequip.com](http://www.bgequip.com)